

# BREAKAWAY TRANSFORMER BASES

THE BREAKAWAY TRANSFORMER BASE/LIGHT POLE  
IS YOUR GUIDE PATH FOR HIGHWAY SAFETY  
MOTORISTS SAFETY IS OUR # 1 GOAL



FOR HIGHWAY LIGHTING VISIBILITY AND  
DIRECTION, CAST ALUMINUM **AASHTO APPROVED**  
TRANSFORMER BASES ARE RECOGNIZED  
BY MOTORISTS WITHOUT COMPARISON.



## AKRON FOUNDRY COMPANY

(330) 745-3101

FAX(330) 745-7999

E-MAIL: [AFC@AkronFoundry.com](mailto:AFC@AkronFoundry.com)

## Akron Foundry Company's Complete Line of Breakaway Transformer Bases For Highway Lighting



Notice height of car bumper before impact. Impact is absorbed by cast aluminum base, not pole.



Most electrical connections undamaged. Enables reinstallation time and expense to be substantially reduced.



After impact, in most cases, pole is undamaged and can be remounted on a new transformer base.

Our Cast Aluminum Breakaway Bases have taken years to develop and have proven themselves under the most severe field conditions for automobile occupant **safety**. Increased passenger safety and extended pole life can be achieved because the impact of a hit is absorbed by the frangible cast aluminum base and not to the pole (or automobile). Use of these bases allows the pole to be salvaged, consequently reducing time and replacement costs. Our bases are ideal for refitting or along new highway construction. Further advantages of our breakaway bases over breakaway couplings, slip bases, and ground mounted anchor bases are listed to the right.



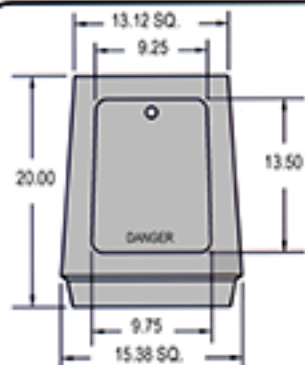
Transformer Base with stainless steel hinged door.

- Both hinge and fastener made of stainless steel.
- Door design allows easy access into base for service and installation.
- Door modifications to accommodate hinges or locks can be made.

- Cost effective over all other breakaway devices and more aesthetically appealing.
- All bases are approved F.H.W.A. to AASHTO requirements.
- Bases are supplied complete with necessary washers for proper installation.
- Bases can be shipped directly to job site.
- Proper loading with specific pole requirements is supplied by pole manufacturer.
- Unique two-piece design requires no added machining costs to achieve breakaway.
- Our bases accommodate all bolt circles from 10 7/8" through 17 1/4".
- To avoid improper installation, caution labels are affixed to interior of bases.
- Easy to install and repair. Large accessible door eliminates need for hand hole in pole.
- Raises electrical connections above grade and out of moisture.
- Cold weather will not hinder installation as long as anchor studs are secure. This allows for reuse of anchorage after impact.
- Rodent and vandal resistant because of door construction.
- No loose or lost sheet metal shrouds due to snow removal.
- More surface lighting with additional height.
- Repairability - Salvageability.



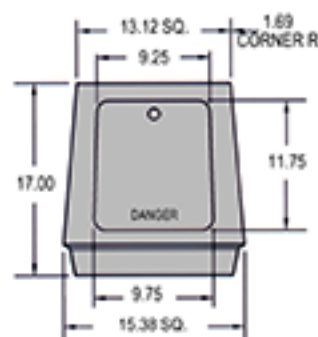
Severely damaged automobile after collision with a light pole not using a breakaway transformer base.



### TB1-20

This base features 11" to 13" top bolt circle and 13" to 15" bottom bolt circle. Stands 20" in height. Base can be ordered with hinged door option or with plastic access door.

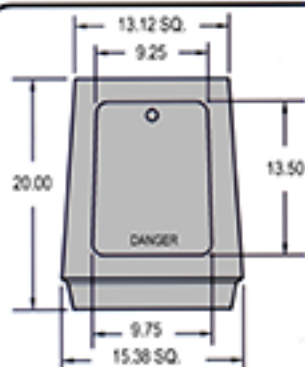
**1975 AASHTO APPROVED**



### TB1-17

This base features 10 1/2" to 13 1/2" top bolt circle and 13" to 15" bottom bolt circle. Stands 17" in height. Base can be ordered with hinged door option or with plastic access door.

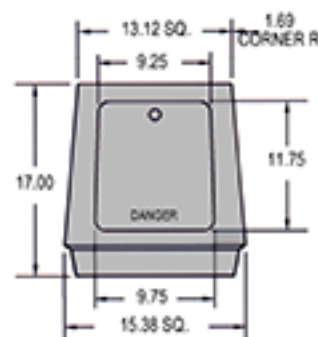
**1985 AASHTO APPROVED**



### TB1-20 MODIFIED

This base features 11" to 13" top bolt circle and 10 1/2" to 12 15/16" bottom bolt circle. Stands 20" in height. Base can be ordered with hinged door option or with plastic access door.

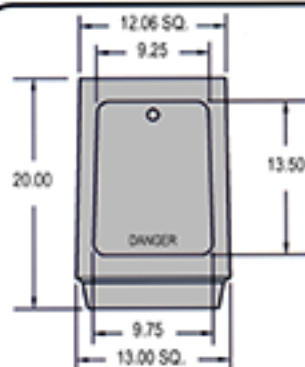
**1975 AASHTO APPROVED**



### TB1-17 MODIFIED

This base features 10 1/2" to 13 1/2" top bolt circle and 10 1/2" to 12 15/16" bottom bolt circle. Stands 17" in height. Base can be ordered with hinged door option or with plastic access door.

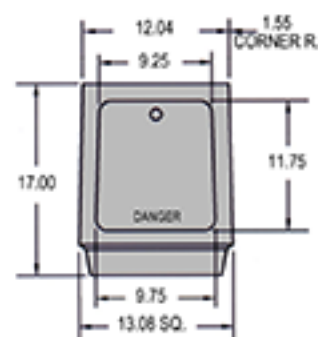
**1985 AASHTO APPROVED**



### TB2-20

This base features 10" to 12" top bolt circle and 10" to 12" bottom bolt circle. Stands 20" in height. Base can be ordered with hinged door option or with plastic access door.

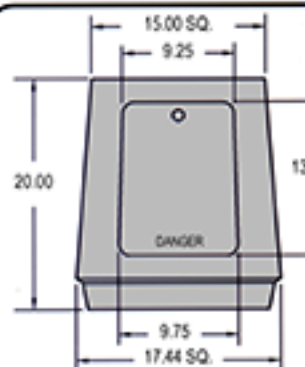
**1975 AASHTO APPROVED**



### TB2-17

This base features 10" to 12" top bolt circle and 10" to 12" bottom bolt circle. Stands 17" in height. Base can be ordered with hinged door option or with plastic access door.

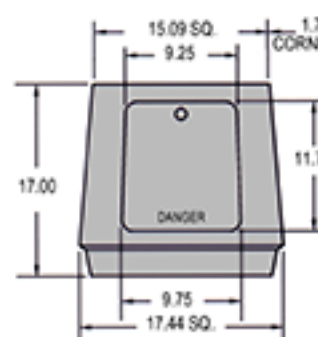
**1985 AASHTO APPROVED**



### TB3-20

This base features 13" to 15 1/8" top bolt circle and 15" to 17 1/4" bottom bolt circle. Stands 20" in height. Base can be ordered with hinged door option or with plastic access door.

**1975 AASHTO APPROVED**



### TB3-17

This base features 13" to 15 1/8" top bolt circle and 15" to 17 1/4" bottom bolt circle. Stands 17" in height. Base can be ordered with hinged door option or with plastic access door.

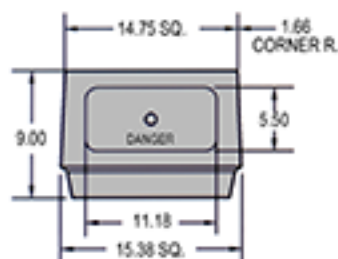
**1985 AASHTO APPROVED**

- WHEN ORDERING HINGED DOOR OPTION, ADD SUFFIX "-H" TO ANY OF THE PART NUMBERS, "-P" FOR PLASTIC DOOR
- CONSULT AUTHORIZED DISTRIBUTOR FOR REQUIRED STEEL WASHERS.

• SUPERIOR TO THE SHROUDED BREAKAWAY COUPLING

• EASY TO INSTALL & REPAIR

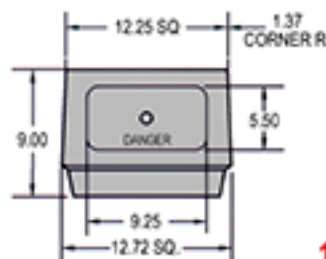
### TB5-9



This base features 14 1/2" to 15" top bolt circle and 14 1/2" to 16 1/4" bottom bolt circle. Stands 9" in height.

1985 AASHTO APPROVED

### TB6-9



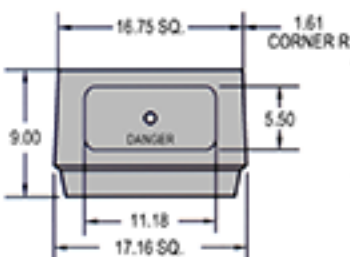
This base features 10 1/2" to 12" top bolt circle and 10" to 12 3/4" bottom bolt circle. Stands 9" in height.

1985 AASHTO APPROVED

• NO LOOSE OR LOST SHEET METAL SHROUDS DUE TO SNOW REMOVAL OR LAWN MOWERS

• LARGE ACCESSIBLE DOOR ELIMINATES NEED FOR HANDHOLE IN POLE

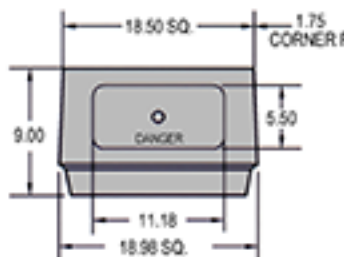
### TB7-9



This base features 16" top bolt circle and 15" to 18 5/8" bottom bolt circle. Stands 9" in height.

AASHTO PENDING

### TB8-9



This base features 16" to 18" top bolt circle and 16" to 21" bottom bolt circle. Stands 9" in height.

AASHTO PENDING

• COST EFFECTIVE OVER OTHER BREAKAWAY DEVICES

• MORE AESTHETICALLY APPEALING  
• RODENT & VANDAL RESISTANT

CONSULT AUTHORIZED DISTRIBUTOR FOR REQUIRED STEEL WASHERS.

### CAUTION:

BEFORE INSTALLATION, USER SHOULD CONSULT WITH AUTHORIZED DISTRIBUTOR REGARDING USER'S PROPOSED APPLICATION, LOAD REQUIREMENTS AND INSTALLATION METHODS. **FAILURES CAN RESULT** FROM USER'S MISAPPLICATION OR IMPROPER INSTALLATION

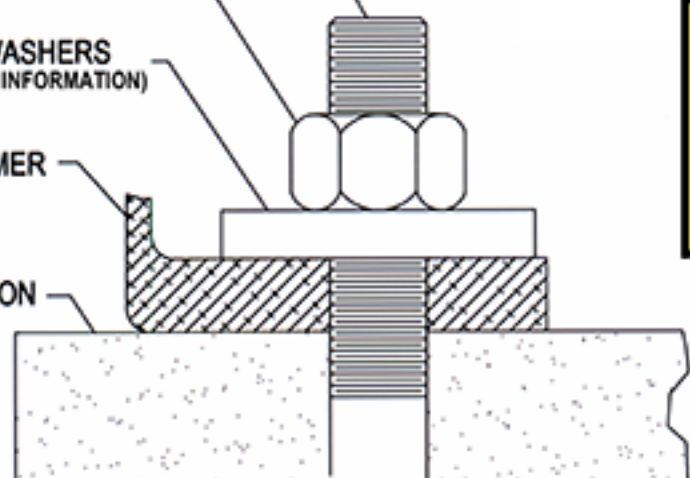
ANCHOR BOLTS (4 REQ'D)

HEX NUTS (4REQ'D)

SPECIAL WASHERS (SEE ORDERING INFORMATION)

TRANSFORMER BASE

FOUNDATION



**CAUTION:**

BEFORE INSTALLATION, USER SHOULD CONSULT WITH AUTHORIZED DISTRIBUTOR REGARDING USER'S PROPOSED APPLICATION, LOAD REQUIREMENTS AND INSTALLATION METHODS. **FAILURES CAN RESULT** FROM USER'S MISAPPLICATION OR IMPROPER INSTALLATION

TO APPROACH OPTIMUM STATIC LOADS, USE THE LARGEST POSSIBLE BOLT CIRCLES AND USE STEEL WASHERS SIZES SPECIFIED BELOW

FOR 10 TO 12 1/2" DIA. TOP BOLT CIRCLES  
USE 2 3/4" DIA. X 1 1/2" OR 1 3/4" THK. X 1 1/2" TL. WASHERS

FOR 12 TO 14" DIA. TOP BOLT CIRCLES  
USE 2 3/4" DIA. X 1 1/2" OR 1 3/4" THK. X 1 1/2" TL. WASHERS

FOR 16 TO 18" DIA. TOP BOLT CIRCLES  
USE 2 3/4" DIA. X 1 1/2" OR 1 3/4" THK. X 1 1/2" TL. WASHERS

FOR ALL MOUNTING UNDER 150 FT. LB. TORQUE, TORQUE MOUNTING NUTS TO 150 FT. LB. TORQUE. TORQUE MOUNTING NUTS TO 150 FT. LB. TORQUE. TORQUE MOUNTING NUTS TO 150 FT. LB. TORQUE. TORQUE MOUNTING NUTS TO 150 FT. LB. TORQUE.

**BREAKAWAY BASE**  
APPROVED BY F.H.W.A. TO 1985 AASHTO REQUIREMENTS

THE LABEL ABOVE IS AFFIXED TO THE BACK INSIDE WALL OF ALL AASHTO APPROVED BREAKAWAY BASES

# ORDERING INFORMATION

PART NUMBER	TOP BOLT CIRCLE	BOTTOM BOLT CIRCLE	BASE HEIGHT	BASES PER SKID	AASHTO APPROVAL
TB1-20	11" - 13"	13" - 15"	20"	27	1975
TB1-20 MODIFIED	11" - 13"	10 1/2" - 12 15/16"	20"	27	1975
TB2-20	10" - 12"	10" - 12"	20"	27	1975
TB3-20	13" - 15 1/8"	15" - 17 1/4"	20"	18	1975
TB1-17	10 1/2" - 13 1/2"	13" - 15"	17"	36	1985
TB1-17 MODIFIED	10 1/2" - 13 1/2"	10 1/2" - 12 15/16"	17"	36	1985
TB2-17	10" - 12"	10" - 12"	17"	36	1985
TB3-17	13" - 15 1/8"	15" - 17 1/4"	17"	24	1985
TB4-20 (HEAVY DUTY)	15" - 18" (PUNCH-OUT)	18" - 22"	20"	8	NONE
TB4-24 (HEAVY DUTY)	15" - 18" (PUNCH-OUT)	18" - 22"	24"	8	NONE
TB5-9	14 1/2" - 15"	14 1/2" - 16 1/4"	9"	54	1985
TB6-9	10 1/2" - 12"	10" - 12 3/4"	9"	54	1985
TB7-9	16"	15" - 18 5/8"	9"	36	PENDING
TB8-9	16" - 18"	16" - 21"	9"	36	PENDING

**DOORS:** WHEN ORDERING HINGED DOOR ADD SUFFIX "H" TO THE PART NUMBER / ADD "P" FOR PLASTIC DOOR

**WASHERS:** 1018-1020 STEEL, ZINC MECHANICAL DEPOSIT PER ASTM 0695-85, CLASS 50

PART NUMBER	SIZE	WEIGHT EACH	PACKAGE WEIGHT
AF-W3	2 1/2" DIA. O.D. X 1 1/8" I.D. X 3/8" THICK	.40 lbs. EACH	108 pcs./carton 48.0 lbs.
AF-W1	2 3/4" DIA. O.D. X 1 1/8" I.D. X 1/2" THICK	.69 lbs. EACH	54 pcs./carton 38.2 lbs.
AF-W2	2 3/4" DIA. O.D. X 1 5/8" I.D. X 1/2" THICK	.61 lbs. EACH	54 pcs./carton 38.2 lbs.
AF-W4	2 3/4" X 4 1/4" X 5/8" THICK RECTANGULAR (FOR 1 1/16 OR 1 5/16 I.D.)	1.80 lbs. EACH	24 pcs./carton 33.5 lbs.



MANUFACTURED IN THE U.S.A. BY:



## AKRON FOUNDRY COMPANY

2728 WINGATE AVENUE

AKRON, OHIO 44314

PHONE: 330-745-3101 FAX: 330-745-7999

E-MAIL: AFC@AkronFoundry.com



Manufactured in the USA by:

# Akron Foundry Company

Phone: 330-745-3101 Fax: 330-745-7999

[AFC@AkronFoundry.com](mailto:AFC@AkronFoundry.com)

## Authorized Transformer Base Distributors

### All-Struct / T&B Lighting Structures

1800 Hymus Boulevard  
Dorval, Quebec H9P 2N6 Canada  
1-514-685-2277  
1-514-685-1840 Fax

### CEM-TEC Corp.

3745 South 7th Avenue  
Phoenix, AZ 85041  
602-268-8895  
602-276-7251 Fax

### JEM Engineering and Mfg.

908 West 41st Street  
Tulsa, OK 74107  
918-446-4517  
918-445-0295 Fax

### Lampadaires Feralux Inc.

2250 Rue Bombardier Blvd.  
Sainte-Julie, Quebec J3E 2L6 Canada  
450-649-4114  
450-649-4940 Fax

### Metalpol S.A.de C.V.

Parque Industrial Lagunero  
Santiago Papasquiaro No. 158  
Gomez Palacio, DGOCP 35070 Mexico  
011-52-871-750-0300  
011-52-871-750-2147 Fax

### North Texas Steel Company Inc.

4410 Marsalis  
Fort Worth, TX 76117  
817-927-5333  
817-924-7584 Fax

### Powco Steel Products Ltd.

100 Ellis Drive  
Barrie, Ontario L4N 9B2 Canada  
705-721-1090  
800-367-1449 Fax

### Union Metal Corp.

1432 Maple Avenue N.E.  
Canton, OH 44705  
330-456-7653  
330-456-0196 Fax

### Utility Metals Division

6210 R Strawberry Lane  
Louisville, KY 40214  
502-363-6681  
502-368-2656 Fax

### Valmont / Texas

2551 Valmont Drive  
Brenham, TX 77833  
979-836-9395  
979-836-4415 Fax

### Aluminous Lighting Products

600 Ferguson Avenue North  
Hamilton, ON L8L 4Z9 Canada  
1-877-625-7240  
1-888-700-8656 Fax

### Flagpoles Inc.

95 Gnarled Hollow Road  
East Setauket, NY 11733  
631-751-7788  
631-751-7955 Fax

### JET Industries

700 Second Street  
Ellwood City, PA 16117  
724-758-5601  
724-758-5146 Fax

### Maico Industries Inc.

936 North Hwy. 14  
Ellsworth, KS 67439  
785-472-5390  
785-472-3729 Fax

### Millerbernd Mfg. Company

622 6th Street South  
Winsted, MN 55395  
320-485-2111  
320-485-4420 Fax

### P & K Pole Products

95 Gnarled Hollow Road  
East Setauket, NY 11733  
631-751-7788  
631-751-7955 Fax

### Shakespeare Composite Structures

19845 U.S. Hwy. 76  
Newberry, SC 29108  
803-276-5504  
803-276-2809 Fax

### United Lighting Standards Inc.

23171 Groesbeck Highway  
Warren, MI 48089  
586-774-5650  
586-771-5527 Fax

### Valmont / Elkhart

58027 Charlotte Avenue  
Elkhart, IN 46517  
574-295-6942  
574-522-4412 Fax

### Ameron Pole Products

2333 South Yukon  
Tulsa, OK 74107  
918-585-5611  
918-587-2196 Fax

### Hapco Aluminum Pole Products

26252 Hillman Highway  
Abingdon, VA 24210  
276-628-7171  
276-623-4567 Fax

### K W Industries Inc.

909 Industrial Blvd.  
Sugar Land, TX 77478  
281-240-0909  
281-240-2588 Fax

### Metal Pole-Lite Inc.

1007 Route Edouard VII  
St-Philippe, Quebec J0L 2K0 Canada  
450-659-8951  
450-659-8746 Fax

### N. W. Signal Supply Inc.

12965 SW Herman Road  
Tualatin, OR 97062  
503-635-4351  
503-635-4341 Fax

### PLP Composite Technologies Inc.

57 Creamery Road  
Fitzwilliam, NH 03447  
603-585-3168  
603-585-3470 Fax

### Texas Pole Company

3932 Old Dennis Road  
Weatherford, TX 76087  
817-599-4401  
817-599-4403 Fax

### USS Manufacturing Inc.

64 Ma-Te-Way Park Drive  
Renfrew, Ontario K7V 2L5 Canada  
613-432-3653  
613-432-9326 Fax

### Valmont / Lexington

20805 Eaton Avenue  
Farmington, MN 55024  
651-463-8990  
651-463-3842 Fax

### Valmont Industries Inc.

7002 North 288 Street  
Valley, NE 68064  
402-359-2201  
402-359-6223 Fax